



NANUK[™] **NANUK-R**
COLLECTION

Together, Let's Reduce our Carbon Footprint, One Case at a Time

The future is here! **At Nanuk, we are thrilled to introduce our latest innovation in high-end protective cases: our new Nanuk-R Collection.**

We firmly believe that quality and sustainability can go hand in hand. While retaining the same level of protection, durability and functionality, we are taking a significant step toward reducing our carbon footprint with our Nanuk-R Collection.

As a company, we understand the importance of environmental responsibility and the urgent need to address the challenges our planet faces. With this in mind, we have dedicated our efforts to create a product that not only meets our customers' expectations for quality and performance but also contributes to the greater good.

By utilizing recycled materials in the manufacturing process, we can reduce the

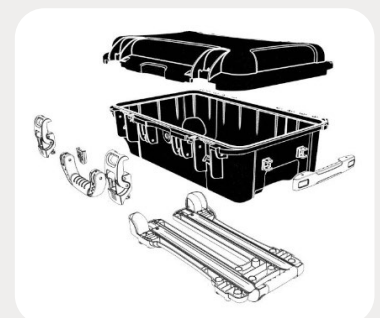
demand for virgin resins, minimizing the strain on our planet's resources. Every recycled case we produce helps to divert waste from landfills, making a tangible impact on reducing environmental pollution.



Rest assured, our commitment to producing high-end protective cases remains unwavering.



In addition to the fact that NANUK-R cases are designed for long-term use and recyclability, the shell of the NANUK-R Collection is made from a minimum of 95% post-consumer recycled resin.



Each case made of recycled resin undergoes rigorous quality control measures to ensure it meets our strict standards for durability, reliability, and functionality. We are proud to say that our recycled Nanuk cases offer the same level of protection and performance as their non-recycled counterparts.

As a customer, when you choose our recycled cases, you become a part of the solution. You contribute to the preservation of our environment by supporting sustainable practices and the circular economy.

Together, we can make a difference.

Join us in our mission to protect your devices and the planet.

IN STOCK MODELS

*Other sizes are available upon request



SPECIFICATIONS

	Interior dimensions	Exterior dimensions	Weight empty	Colors	Baggage	Retractable handle	Wheels
904	L8.4" x W6.0" x H3.7" L213mm x W152mm x H94mm	L10.2" x W7.9" x H4.5" L259mm x W201mm x H114mm	1.6 lb 0.7 kg	●	Carry-on		
909	L11.4" x W7.0" x H3.7" L291mm x W178mm x H93mm	L12.6" x W9.0" x H4.4" L321mm x W229mm x H111mm	2.1 lb 1.0 kg	●	Carry-on		
910	L13.2" x W9.2" x H4.1" L336mm x W234mm x H104mm	L14.3" x W11.1" x H4.7" L363mm x W282mm x H120mm	3.0 lb 1.4 kg	●	Carry-on		
915	L13.8" x W9.3" x H6.2" L351mm x W236mm x H157mm	L15.8" x W12.1" x H6.8" L401mm x W307mm x H173mm	4.4 lb 2.0 kg	●	Carry-on		
925	L17.0" x W11.8" x H6.4" L432mm x W300mm x H163mm	L18.7" x W14.8" x H7.0" L475mm x W376mm x H178mm	6.2 lb 2.8 kg	●	Carry-on		
935	L20.5" x W11.3" x H7.5" L521mm x W287mm x H191mm	L22.0" x W14.0" x H9.0" L559mm x W356mm x H229mm	11.6 lb 5.3 kg	●	Carry-on*	●	●

*check with airline company

The NANUK™ Advantage

Indestructible Recycled Resin



PowerClaw Latches



Polyurethane Wheels



NANUK™

NANUK-R COLLECTION

CERTIFICATIONS:



DEF-STAN 81-41 / STANAG 4280
WATER SPRAY



IP6X INGRESS PROTECTION
DUSTPROOF



DEF-STAN 81-41 / STANAG 4280
IMPACT



IPX7 INGRESS PROTECTION
WATERPROOF



DEF-STAN 81-41 / STANAG 4280
DRY HEAT



MIL-STD-810G Immersion



DEF-STAN 81-41 / STANAG 4280
LOW TEMP



ATA SPECIFICATION 300
CATEGORY 1 IMPACT



LIFETIME
WARRANTY



MILITARY
APPROVED



CRUSHPROOF
RESIN



RECYCLED
RESIN



MADE IN
CANADA



North America Headquarters

Plasticase Inc./NANUK
1059, Boulevard des Entreprises Ouest
Terrebonne (Québec) J6Y 1V2
CANADA

Tel.: 450 628.1006 | 1 800 783.6883
Email: info@nanuk.com
www.nanukcases.ca

Plasticase USA Inc./NANUK

2915, Ogletown Road
Newark, Delaware,
19713 USA

Tel.: 450 628.1006 | 1 800 783.6883
Email: info@nanuk.com
www.nanuk.com

NANUK EU B.V. NANUK Europe

Burg. J.G. Legroweg 96
9761 TD Eelde
The Netherlands

Tel: +31 50 3128694
Email: info@nanuk.eu
www.nanuk.eu