

**PROTECT  
ORGANIZE  
MOBILIZE**



**CATALOG**

**NANUK™** N-PVD  
ECOSYSTEM

[nanuk.com](https://nanuk.com)



# SUMMARY

Introducing a Backpack Line	4
N-PVD Characteristics	5
Unparalleled Protection	5
Mobilization	5
Organization	6
N-PVD Ecosystem	7
Cases	8
Accessories	9
N-Cubik	9
Tech Pouch	9
Catalog	10
N-PVD and Bundle	10
Cases and Bundle	12
N-Cubik 13	13
N-Cubik 17	13
Tech Pouch	13



## INTRODUCING A BACKPACK LINE

NANUK is proud to introduce a collection of protection products that continue our tradition of pushing the boundaries to discover smarter and more elegant methods to protect, organize, and mobilize your gear.

### Gear Organization Elevated

Unveil a world of effortless organization with our diverse range of bag sizes, N-CUBIK organizers, and Tech Pouches. Tailored for camera, video, and drone enthusiasts, our products transform chaos into clarity. Dive in and experience the ultimate harmony in gear arrangement.

### Flexibility for All Your Needs

In the Nanuk Ecosystem, N-CUBIK are designed for perfect alignment. Seamlessly fitting into Nanuk's hard cases and bags, they ensure smooth transitions, be it from a hotel room to a jungle shoot. Experience effortless mobilization of your essentials, ready for every adventure.



### Safeguarded Serenity for Professionals

For photographers, videographers, and drone pilots, protection is paramount. Dive into our N-PVD packs and N-CUBIK ecosystem, where cutting-edge integration of recycled polyester fabrics meets robust internal and external padding. Our collection ensures your gear's safeguard against impacts and the unpredictability of nature, letting you focus on capturing the world's beauty undistracted.

Camera/Drone  
Backpack  
Collection



**LIFETIME  
WARRANTY**



**BLUESIGN®  
APPROVED**  
100% RECYCLED  
POLYESTER FABRICS



**PFOA AND  
PFC-FREE**  
DURABLE WATER  
REPELLENT FINISHES



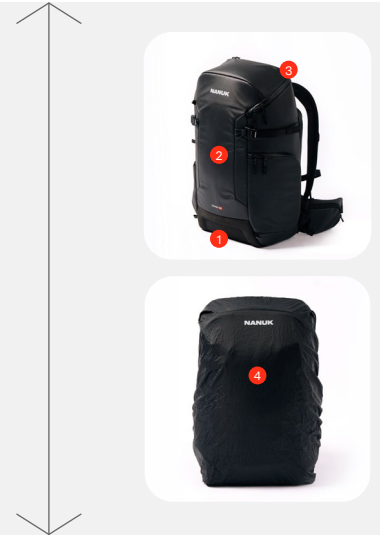
**YKK®  
AQUAGUARD®**  
WATER-RESISTANT  
ZIPPERS

# N-PVD Characteristics

## Unparalleled Protection

Our ecosystem of N-PVD packs, N-CUBIK organization and tech pouches offer superior impact and weather protection by integrating recycled polyester fabrics, internal padding and external EVA molded foam padding.

1. EVA compression molded foam bottoms so your gear doesn't fall over.
2. Double-layer foam padded body to protect your valuable gear.
3. YKK Aqua guard zippers for protection from the elements.
4. Removable rain cover protection for wet or dusty conditions.



## Mobilization

### Carrying Comfort



1. Padded and breathable contoured shoulder straps and waist belts.



2. Padded and breathable back panel.



3. PFOA AND PFC-FREE Durable water repellent finishes.



# Organization

## Endless Organization

Multiple pockets and internal dividers create a tidy and secure home to keep gear and accessories safe and within reach. Unique N-CUBIK organizers and tech pouches provide next level stand-alone organization and protection.



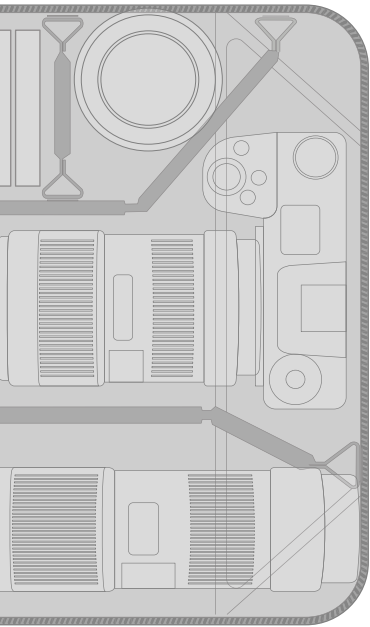
## Internal Divider Systems

Removable and reconfigurable EVA compression molded dividers in our N-PVD packs and N-CUBIK organizers protect your valuable gear.

Using a unique TriBases shape, the internal organizers offer exceptional load shifting and impact resistance compared to conventional padded dividers.

Their tricote finish provides scratch-free protection.

Slotted faces and stretch elastic straps allow for smaller item stabilization.



## Materials and Features



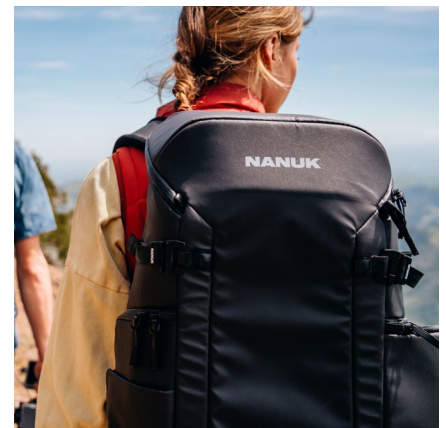
### Tripod

Built-in straps to carry your tripod



### 9 Hooks

Custom aluminum 9 hooks-solid-connection and durable construction



### Exterior Fabric

Bluesign certified recycled polyester fabrics BPA and PFOA free DWR coatings

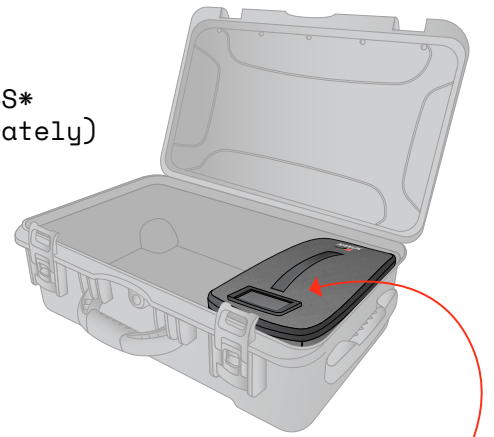
# N-PVD Ecosystem

## Ecosystem Functionality

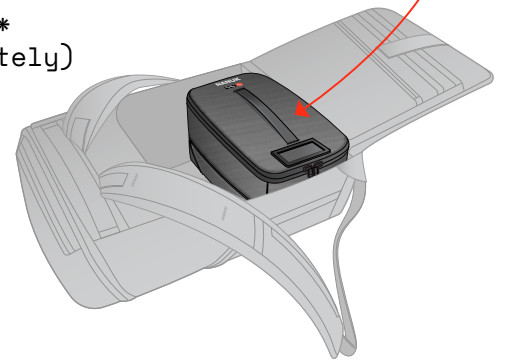
NANUK's unique ecosystem of products provides unparalleled organization options. The N-CUBIK internal organizers and tech pouches seamlessly integrate with Nanuk's hard cases and backpacks for unmatched protection, organization and mobilization.



Nanuk 935  
+N-CUBIK 13S\*  
(sold separately)



N-PVD 35L  
+N-CUBIK 13S\*  
(sold separately)



\*N-CUBIK system fits in 935 and 938 Nanuk hard cases and N-PVD 30L, 35L and 40L models.

Create your own ecosystem in your image.

# NANUK™

Ecosystem functionality  
Fonctionnalité de l'écosystème

Model	Dimensions (cm)	Internal Organizer	Compatible Cases
13S	29cm, 11.4in	16cm, 6.2in	40L
13M	29cm, 11.4in	32cm, 12.5in	35L
13L	29cm, 11.4in	63cm, 24.4in	30L
17S	29cm, 11.4in	18cm, 7in	935
17M	29cm, 11.4in	34cm, 13.2in	938
17L	29cm, 11.4in	69cm, 27in	



## Our Choice for Ecosystem Cases

NANUK provides world-class protective cases that not only help organize and mobilize mission-critical equipment in various industries but are also designed and built to withstand unforgiving environments. It offers a wide range of choice with 45 different sizes and up to 10 different color options.

With innovative features such as the patented PowerClaw latch, rugged NK-7 resin, and a distinctive style, NANUK is

highly regarded among creative professionals. From the Pro Photo Kit Case to the Custom Foam Drone Case, it is designed to protect, organize, and mobilize all things related to drones, cameras, and audio-visual devices. This allows photographers and videographers to capture the perfect shot, whether it be on the streets of New York or the sandy vistas of the Sahara.



935 Nanuk Cases



938 Nanuk Cases

CERTIFICATIONS



**DEF-STAN 81-41  
STANAG 4280**

*Dry Heat / Low temp  
Vibration / Water spray-rain  
Impact-Drop*



**MIL-STD-810H**

*High temp / Low temp  
Rain / Immersion  
Vibration / Shock*



**IP67**

*Dustproof  
Immersion*



**Specifications  
ATA 300**

*Category 1  
drop test*

## The NANUK™ Advantages

Indestructible  
NK-7 RESIN



PowerClaw—  
Superior Latching  
System



All Terrain Polyurethane  
Wheels with Seal Bearing  
(Depending on model)



**LIFETIME  
WARRANTY**



**MILITARY  
APPROVED**



**CRUSHPROOF  
RESIN**



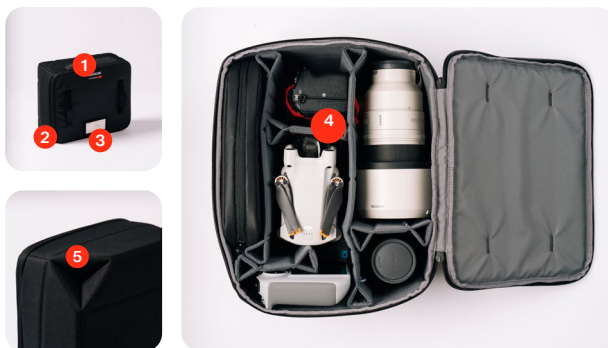
**MADE IN  
CANADA**



# Accessories

## N-Cubik

Multiple pockets and internal dividers create a tidy and secure home to keep gear and accessories safe and within reach. Unique N-CUBIK organizers and tech pouches provide next level stand-alone organization and protection.



- 1 Padded foam lid with padded webbing handles.
- 2 Shoulder strap and strap loops.
- 3 ID card slot.
- 4 Removable, reconfigurable padded internal dividers.
- 5 Origami compression-moulded EVA foam bottom.



## Tech Pouch

Multiple pockets and internal dividers create a tidy and secure home to keep gear and accessories safe and within reach. Unique N-CUBIK organizers and tech pouches provide next level stand-alone organization and protection.

## Available Accessories as Options



TSA PowerClaw Latch Retrofit Kit



Nanuk TSA Padlock



AirTag Holder



Desiccant Container

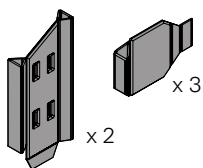
N-PVD 15L

Dimensions (HxWxD)  
 17.7 × 13.8 × 6.3"  
 45 × 35 × 16 cm

Capacity      Weight (Lb/Kilo)  
 15L              2.94/1.34



Includes  
 removable,  
 reconfigurable,  
 padded dividers.



UPC Code	Item Number	Description
666365050212	N15L-000BK-0B1	N-PVD (15L) Bag - Black

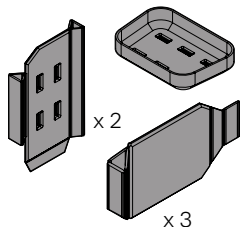
N-PVD 18L

Dimensions (HxWxD)  
 20.1 × 12.6 × 7.9"  
 51 × 32 × 20 cm

Capacity      Weight (Lb/Kilo)  
 18L              3.04/1.38



Includes  
 removable,  
 reconfigurable,  
 padded dividers.



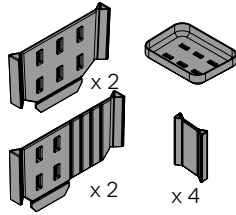
UPC Code	Item Number	Description
666365050236	N18L-000BK-0B1	N-PVD (18L) Backpack - Black

# N-PVD 30L

Dimensions (HxWxD)  
 22.4 × 11.8 × 8.6"  
 57 × 30 × 22 cm

Capacity      Weight (Lb/Kilo)  
 30L              4.4/2.0

Includes  
 removable,  
 reconfigurable,  
 padded dividers.



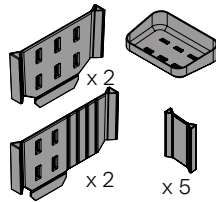
UPC Code	Item Number	Description
666365050243	N30L-000BK-0B1	N-PVD (30L) Backpack - Black

# N-PVD 35L

Dimensions (HxWxD)  
 24 × 12.2 × 10.2"  
 61 × 31 × 26 cm

Capacity      Weight (Lb/Kilo)  
 35 L            4.95/ 2.25

Includes  
 removable,  
 reconfigurable,  
 padded dividers.



UPC Code	Item Number	Description
666365050250	N35L-000BK-0B1	N-PVD (35L) Backpack - Black

N-PVD 40L

Dimensions (HxWxD)  
 22.8 × 11.8 × 8.2"  
 58 × 30 × 21 cm

Capacity      Weight (Lb/Kilo)  
 40 L          4.86/2.21



1 N-Cubik collection sold separately



UPC Code	Item Number	Description
666365050267	N40L-000BK-0B1	N-PVD (40L) Bag - Black



# Catalog Cases and Bunble

935

Interior Size (HxWxD)  
20.5 × 11.3 × 7.5"  
521 × 287 × 191 mm

Exterior Size (HxWxD)  
22 × 14 × 9"  
559 × 356 × 229 mm

Weight Empty (Lb/Kilo)  
17.35/7.87

Capacity  
28.5 L



UPC Code	Item Number	Description
666365101938	935S-270BK-0A0	Nanuk Case 935 w/lid organizer, w/N-Cubik Interior (13M&13S)- Black
666365101945	935S-280BK-0A0	Nanuk Case 935 w/lid organizer, w/N-Cubik Interior (13L)- Black

938

Interior Size (HxWxD)  
21.5 × 12.5 × 11.6"  
546 × 318 × 294 mm

Exterior Size (HxWxD)  
23.8 × 15.5 × 13.2"  
605 × 394 × 336 mm

Weight Empty (Lb/Kilo)  
22.25/10.09

Capacity  
51.1 L



UPC Code	Item Number	Description
666365101952	938S-310BK-0A0	Nanuk Case 938 w/lid organizer, w/N-Cubik Interior (17M&17S)- Black
666365101969	938S-330BK-0A0	Nanuk Case 938 w/lid organizer, w/N-Cubik Interior (17L)- Black

# Accessories

N-Cubik 13

## N-CUBIK 13Small



Dimensions (HxWxD)  
11.4 × 6.2 × 5"  
29 × 16 × 13 cm

## N-CUBIK 13Medium



Dimensions (HxWxD)  
2.5 × 11.4 × 5"  
32 × 29 × 13 cm

## N-CUBIK 13Large



Dimensions (HxWxD)  
20.4 × 11.4 × 5"  
52 × 29 × 13 cm

UPC Code	Item Number	Description
666365050328	N13S-000BK-0B1	N-Cubik 13S ICU Organizer - Black
666365050311	N13M-000BK-0B1	N-Cubik 13M ICU Organizer - Black
666365050304	N13L-000BK-0B1	N-Cubik 13L ICU Organizer - Black

N-Cubik 17

## N-CUBIK 17Small



Dimensions (HxWxD)  
11.4 × 7 × 6.6"  
29 × 18 × 17 cm

## N-CUBIK 17Medium



Dimensions (HxWxD)  
13.3 × 11.4 × 6.6"  
34 × 29 × 17 cm

## N-CUBIK 17Large



Dimensions (HxWxD)  
20 × 11.4 × 6.6"  
51 × 29 × 17 cm

UPC Code	Item Number	Description
666365050359	N17S-000BK-0B1	N-Cubik 17S ICU Organizer—Black
666365050342	N17M-000BK-0B1	N-Cubik 17M ICU Organizer—Black
666365050335	N17L-000BK-0B1	N-Cubik 17L ICU Organizer—Black

Tech Pouch

## T1



Dimensions (HxWxD)  
10 × 6.3 × 2.0"  
25.5 × 16 × 5 cm

## T2



Dimensions (HxWxD)  
10.6 × 6.5 × 3.5"  
27 × 16 × 9 cm

## T3



Dimensions (HxWxD)  
9.4 × 6.3 × 2.8"  
24 × 16 × 7 cm

UPC Code	Item Number	Description
666365050366	NT1-000BK-0B1	N-Cubik T1 Tech Pouch - Black
666365050373	NT2-000BK-0B1	N-Cubik T2 Tech Pouch - Black
666365050380	NT3-000BK-0B1	N-Cubik T3 Tech Pouch - Black





## North America Headquarters

Nanuk Gear Protection Inc.  
1059, Boulevard des Entreprises Ouest  
Terrebonne (Québec) J6Y 1V2  
CANADA  
Tel.: 450 628.1006 | 1 800 783.6883  
Email: [info@nanuk.com](mailto:info@nanuk.com)  
[www.nanukcases.ca](http://www.nanukcases.ca)

## Nanuk Gear Protection Inc.

2915, Ogletown Road  
Newark, Delaware,  
19713 USA

Tel.: 450 628.1006 | 1 800 783.6883  
Email: [info@nanuk.com](mailto:info@nanuk.com)  
[www.nanuk.com](http://www.nanuk.com)

## NANUK EU B.V. NANUK Europe

Burg. J.G. Legroweg 96  
9761 TD Eelde  
The Netherlands

Tel: +31 50 3128694  
Email: [info@nanuk.eu](mailto:info@nanuk.eu)  
[www.nanuk.eu](http://www.nanuk.eu)