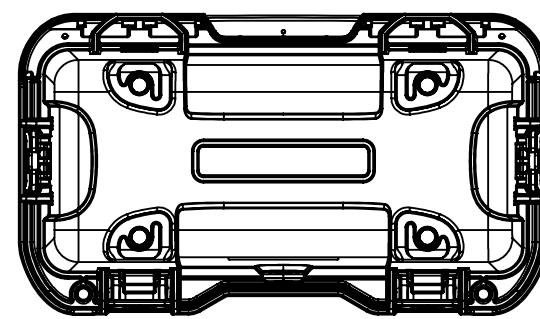
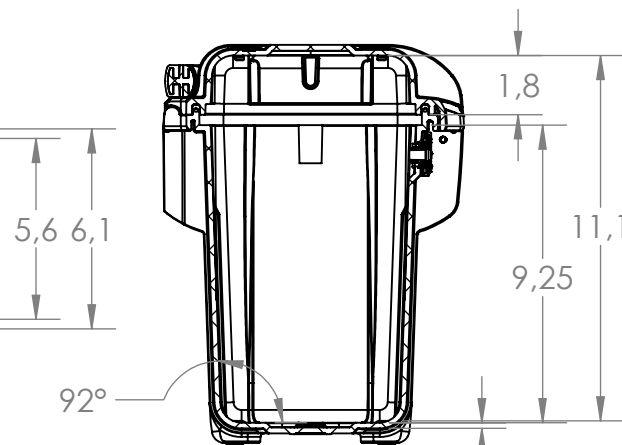
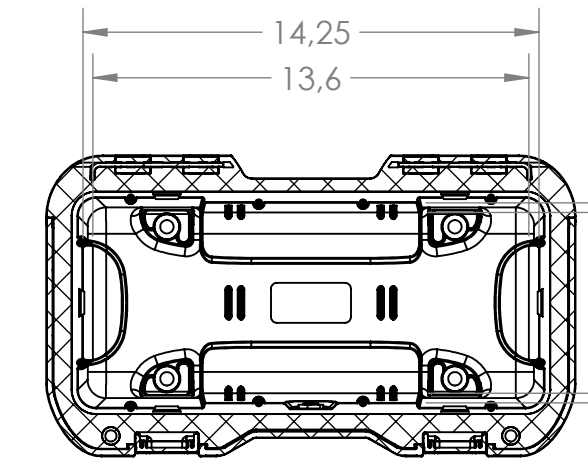
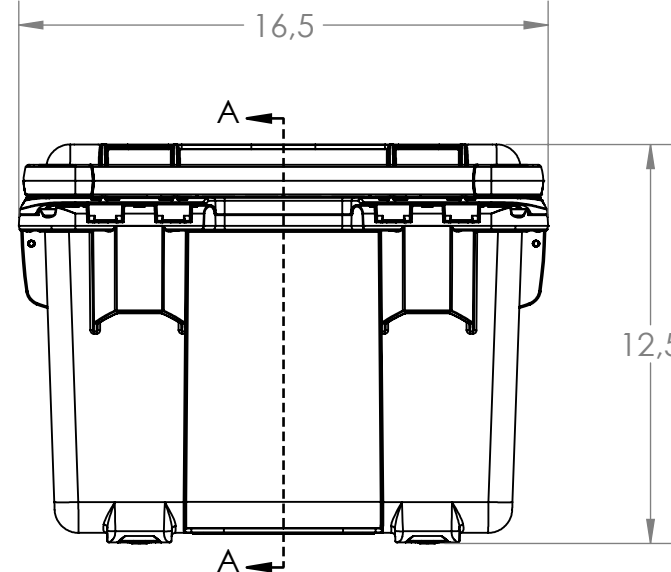
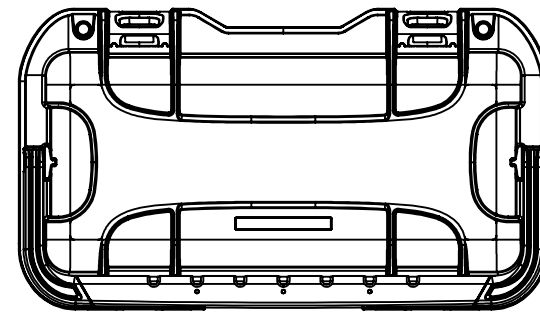
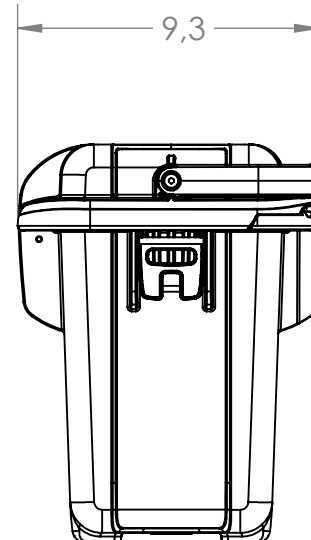
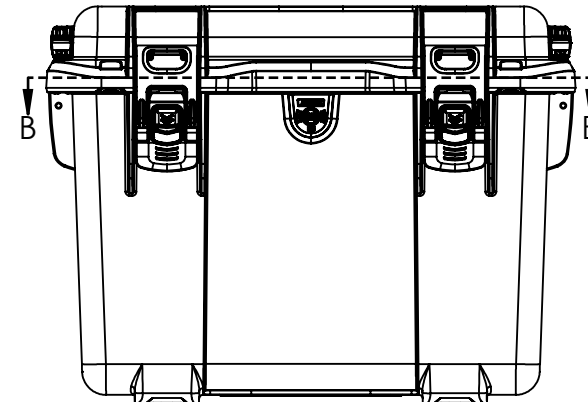


THE INFORMATION CONTAINED IN THIS DRAWING IS THE SOLE PROPERTY OF PLASTICASE ANY REPRODUCTION IN PART OR WHOLE WITHOUT THE WRITTEN PERMISSION OF PLASTICASE IS PROHIBITED.

REVISIONS			
REV.	DESCRIPTION	DATE	APPROVED

D  
C  
B  
A



.2 WALL THICKNESS

NANUK T30 Specifications	
<b>Case Weight Empty</b>	5.83lbs / 2.65kg
<b>Interior Length</b>	14.25" / 362 mm
<b>Interior Width</b>	6.1" / 155 mm
<b>Interior Height</b>	11.1" / 282mm
<b>Interior Lid Depth</b>	1.8" / 46 mm
<b>Interior Base Depth</b>	9.25" / 235 mm
<b>Exterior Length</b>	16.5" / 419 mm
<b>Exterior Width</b>	9.3" / 236 mm
<b>Exterior Height</b>	12.5" / 317 mm
<b>Master Pack Qty.</b>	TBD
<b>Master Pack Wt.</b>	TBD
<b>Max Buoyancy</b>	51lbs / 23.5kg

UNLESS OTHERWISE SPECIFIED DIMENSIONS ARE IN INCHES [mm]

CAD GENERATED DRAWING, DO NOT MANUALLY UPDATE

APPROVALS: DRAWN D.B., CHECKED RESP ENG, MFG ENG, QUAL ENG

DATE: 2024-08-06

SCALE: 1:6

DO NOT SCALE DRAWING

NANUK GEAR PROTECTION	
NANUK T30	
SIZE B	DWG. NO.
SCALE 1:6	CAD FILE: Main Assy T30_p.00
SHEET 1	OF 1

8 7 6 5 4 3 2 1

8 7 6 5 4 3 2 1