

NANUK

1059, boul. des Entreprises Ouest
 Terrebonne, QC Canada J6Y 1V2
 Tel 450.628.1006 1.800.783.6883
 www.nanuk.com

INSERT

PROJECT

976_NANUK

PRODUCT

1-976-FXXXX_a.00

DWG ID

STATUS

YOUR SIGNATURE IS REQUIRED FOR APPROVAL BEFORE ANY RELEASE OF PRODUCTION DRAWINGS

SIGNATURE

DATE

TOLERANCES

CUTOUTS +/- 1/16

OVERALL FOAM THICKNESS & CAVITY DEPTHS +/- 1/8

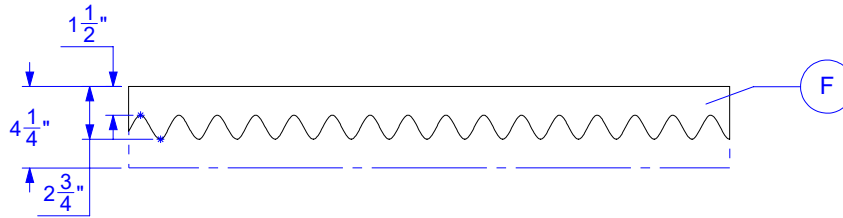
GLUED TO CASE TOP BASE VELCRO EXTRA

REVISIONS

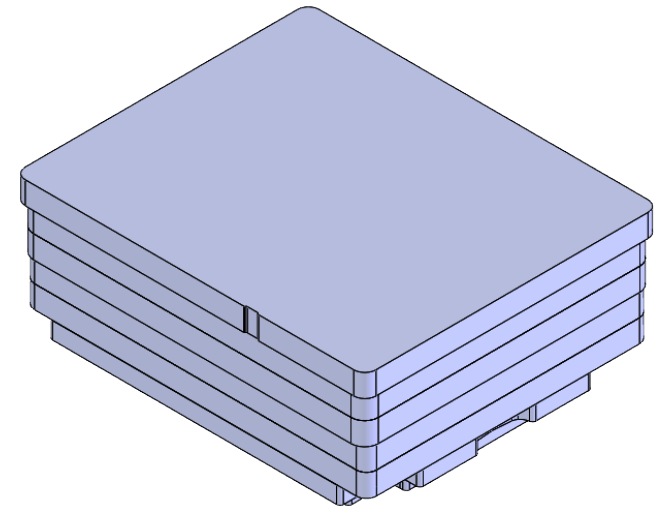
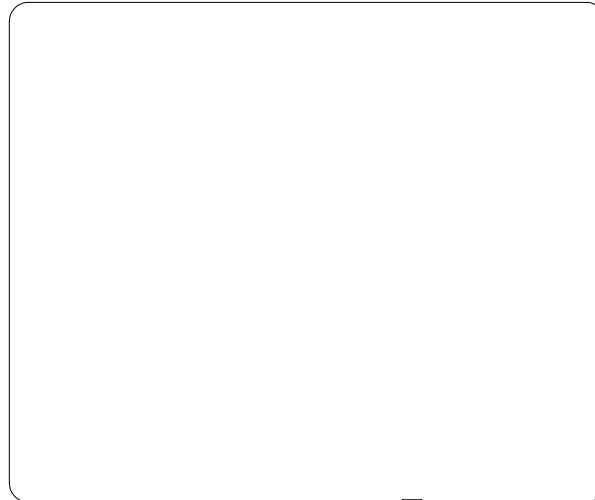
REV.	DESCRIPTION	DATE	INIT

LID TRAY ELEVATION

CV STANDARD
 1-97603

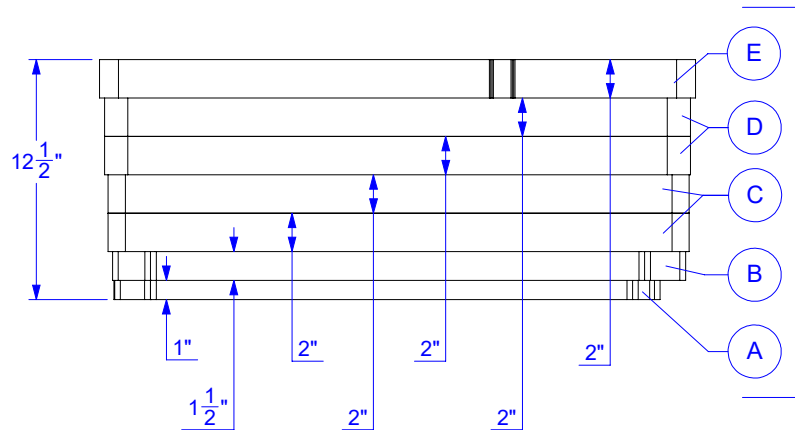


BASE TRAY



BASE TRAY ELEVATION

1-976-FXXXX-B



FOAM DENSITY MAY VARY. DIMENSIONS ARE IN INCHES UNLESS OTHERWISE SPECIFIED

PROPRIETARY AND CONFIDENTIAL

THE INFORMATION CONTAINED IN THIS DRAWING IS THE SOLE & EXCLUSIVE PROPERTY OF NANUK GEAR PROTECTION INC. ANY REPRODUCTION IN PART OR WHOLE WITHOUT THE WRITTEN PERMISSION OF NANUK GEAR PROTECTION INC. IS PROHIBITED.

DO NOT SCALE DRAWING
 SHEET SCALE 1:10

Frank Vitiello
 REPRESENTATIVE

D.Brousseau
 DESIGNER

2024-07-22
 DATE

1/8

YOUR SIGNATURE IS REQUIRED FOR APPROVAL BEFORE ANY RELEASE OF PRODUCTION DRAWINGS

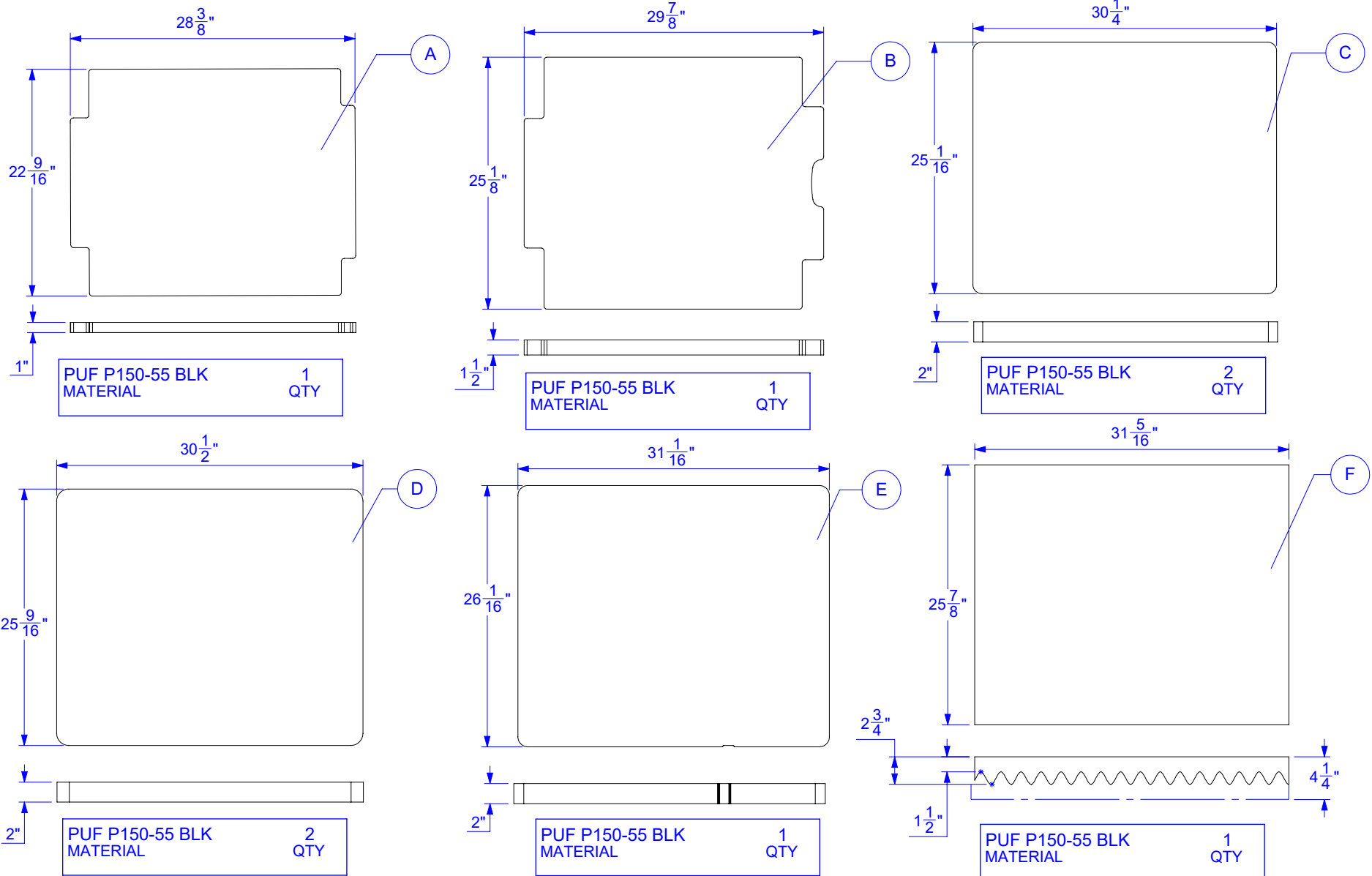
TOLERANCES

CUTOUTS +/- 1/16

OVERALL FOAM THICKNESS & CAVITY DEPTHS +/- 1/8

SIGNATURE

DATE



FOAM DENSITY MAY VARY. DIMENSIONS ARE IN INCHES UNLESS OTHERWISE SPECIFIED

NANUK

1059, boul. des Entreprises Ouest
Terrebonne, QC Canada J6Y 1V2
Tel 450.628.1006 1.800.783.6883
www.nanuk.com

INSERT

PROJECT

976_NANUK

PRODUCT

1-976-FXXXX_a.00

DWG ID

STATUS

YOUR SIGNATURE IS REQUIRED FOR APPROVAL BEFORE ANY RELEASE OF PRODUCTION DRAWINGS

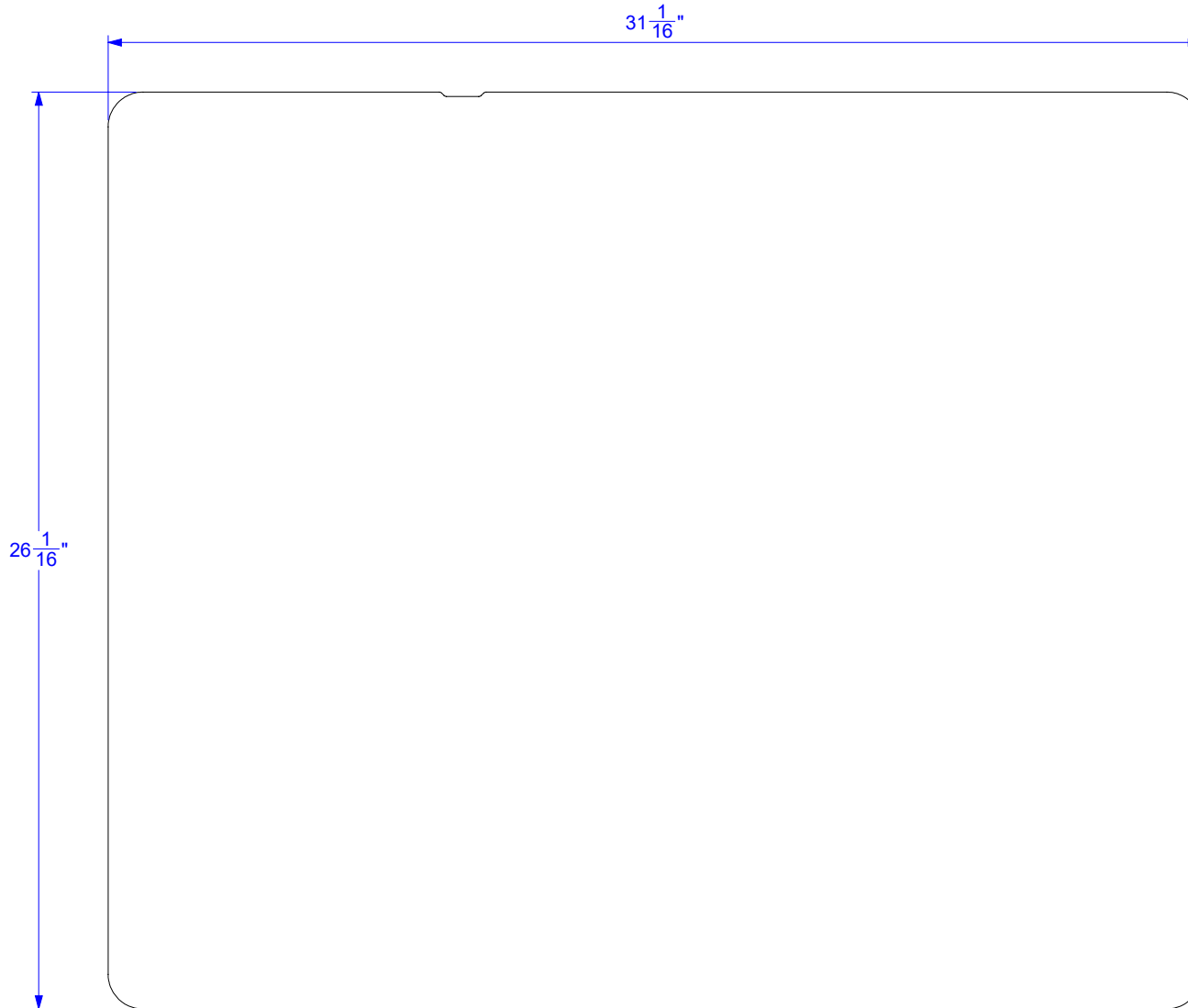
TOLERANCES

CUTOUTS +/- 1/16

OVERALL FOAM THICKNESS & CAVITY DEPTHS +/- 1/8

SIGNATURE

DATE



FOAM DENSITY MAY VARY.
DIMENSIONS ARE IN INCHES UNLESS OTHERWISE SPECIFIED

PROPRIETARY AND CONFIDENTIAL

THE INFORMATION CONTAINED IN THIS DRAWING IS THE SOLE & EXCLUSIVE PROPERTY OF NANUK GEAR PROTECTION INC.
ANY REPRODUCTION IN PART OR WHOLE WITHOUT THE WRITTEN PERMISSION OF NANUK GEAR PROTECTION INC. IS PROHIBITED.

DO NOT SCALE DRAWING
SHEET SCALE 1:12

Frank Vitiello
REPRESENTATIVE

D.Brousseau
DESIGNER

2024-07-22
DATE

3/8