

YOUR SIGNATURE IS REQUIRED FOR APPROVAL BEFORE ANY RELEASE OF PRODUCTION DRAWINGS

SIGNATURE

DATE

TOLERANCES

CUTOUTS +/- 1/16

OVERALL FOAM THICKNESS & CAVITY DEPTHS +/- 1/8

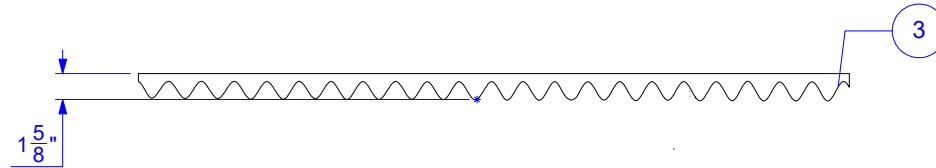
GLUED TO CASE TOP BASE VELCRO EXTRA

REVISIONS

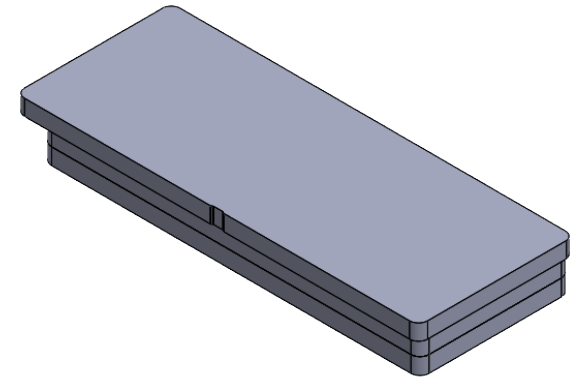
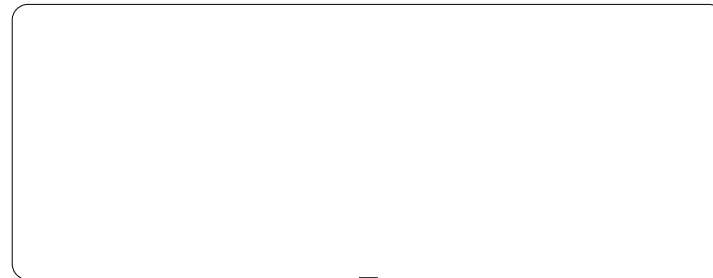
| REV. | DESCRIPTION | DATE | INIT. |
|------|----------------------|------------|-------|
| α.02 | GENERAL MODIFICATION | 2023-02-28 | WV |
| α.03 | GENERAL MODIFICATION | 2023-04-05 | WV |
| α.04 | GENERAL MODIFICATION | 2023-04-28 | WV |
| α.05 | GENERAL MODIFICATION | 2023-05-10 | WV |

LID TRAY - ELEVATION

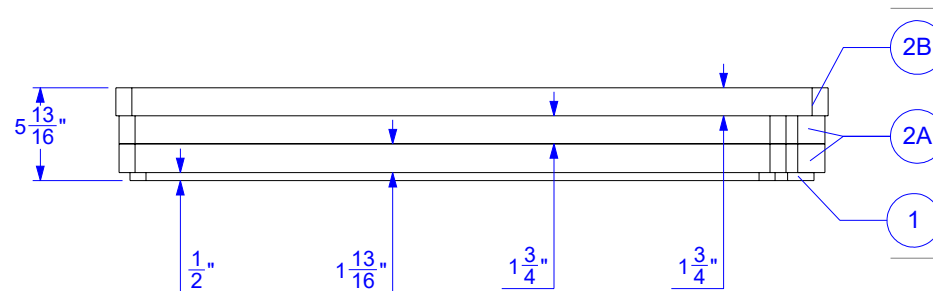
CV STANDARD
1-99103



BASE TRAY



BASE TRAY - ELEVATION



FOAM DENSITY MAY VARY
DIMENSIONS ARE IN INCHES UNLESS OTHERWISE SPECIFIED

YOUR SIGNATURE IS REQUIRED FOR APPROVAL BEFORE ANY RELEASE OF PRODUCTION DRAWINGS

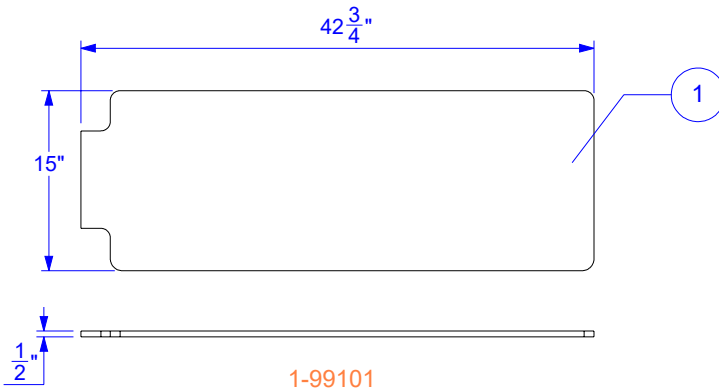
SIGNATURE

DATE

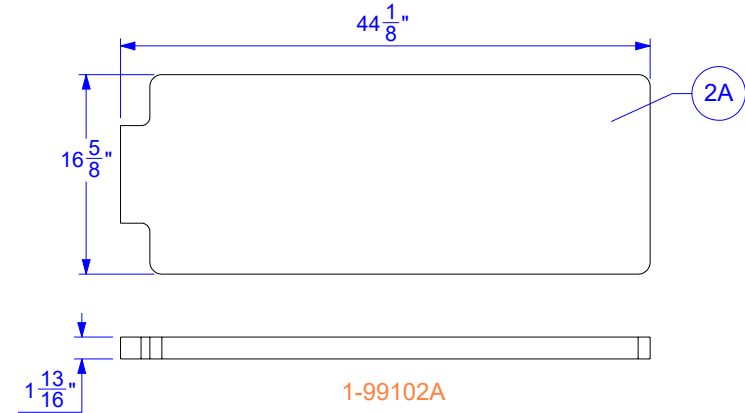
TOLERANCES

CUTOUTS +/- 1/16

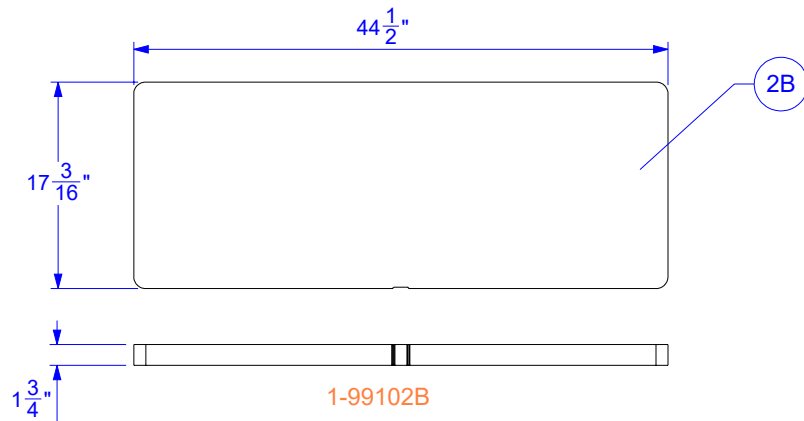
OVERALL FOAM THICKNESS & CAVITY DEPTHS +/- 1/8



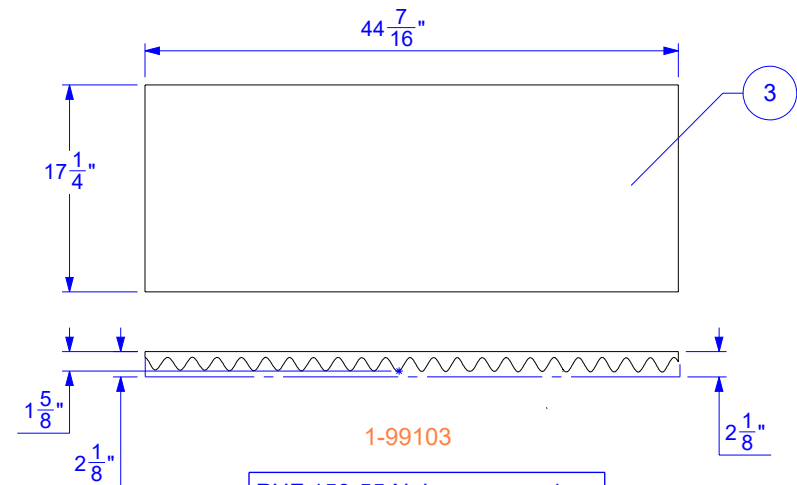
PEF 1.8LBS BLACK MATERIAL 1 QTY



PEF 1.8LBS BLACK MATERIAL 2 QTY



PEF 1.8LBS BLACK MATERIAL 1 QTY



PUF 150-55 Noir MATERIAL 1 QTY

FOAM DENSITY MAY VARY. DIMENSIONS ARE IN INCHES UNLESS OTHERWISE SPECIFIED