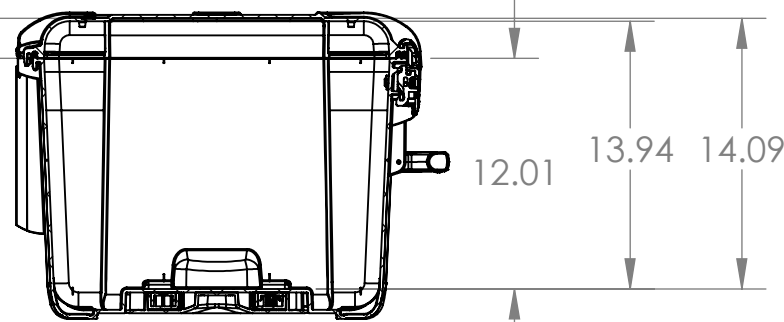
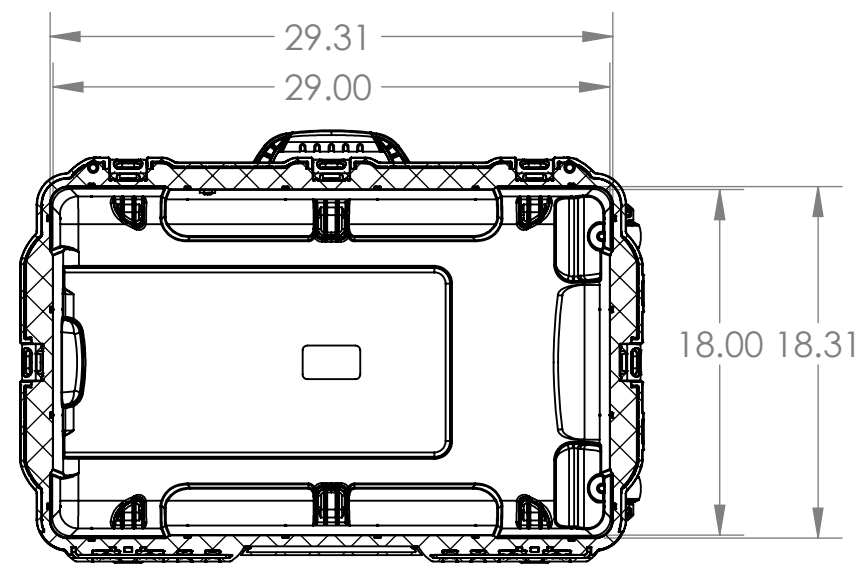
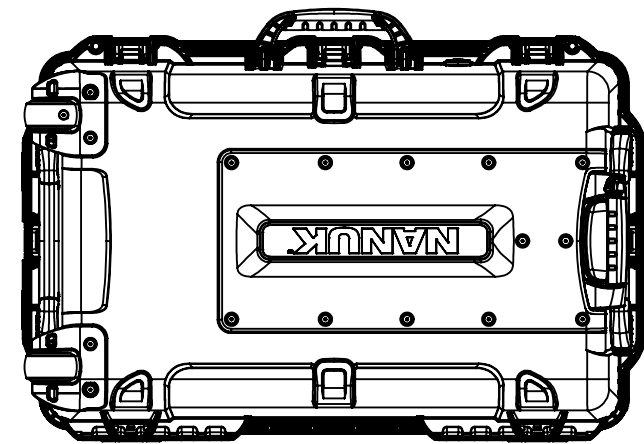
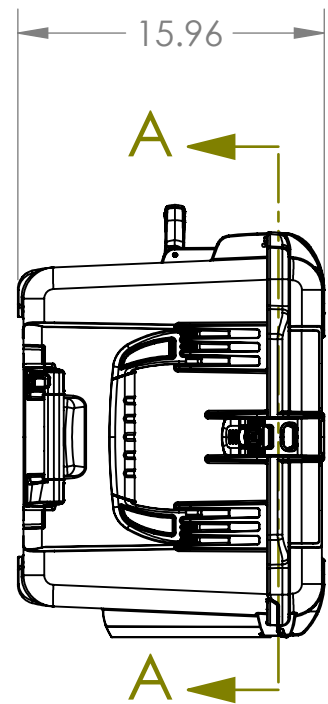
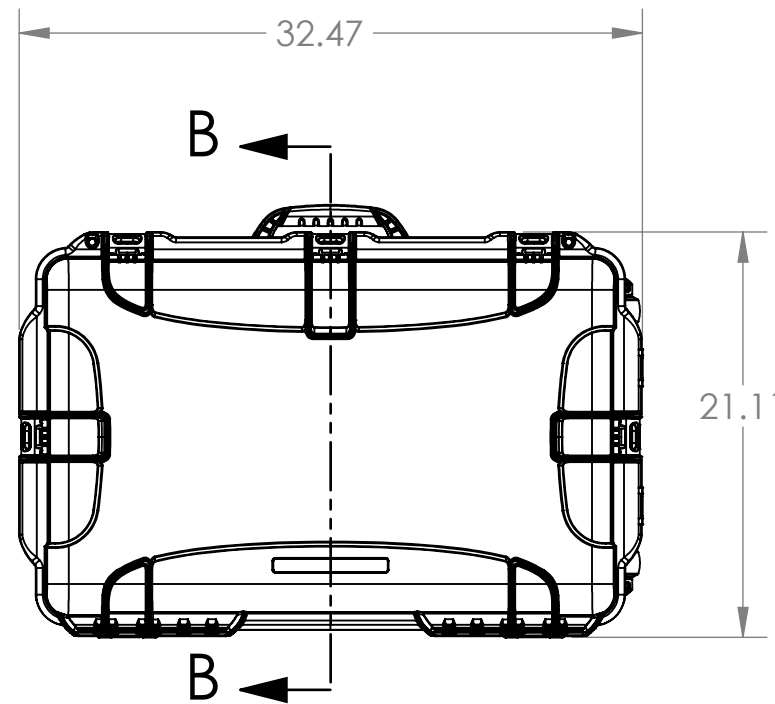
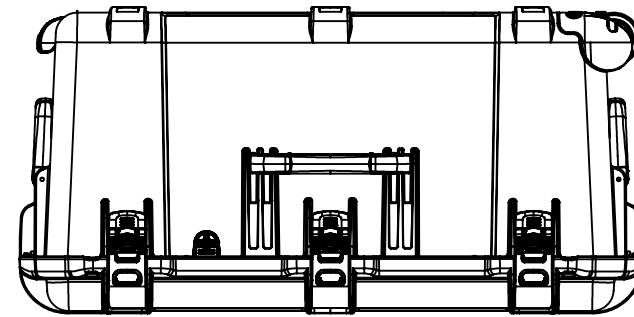
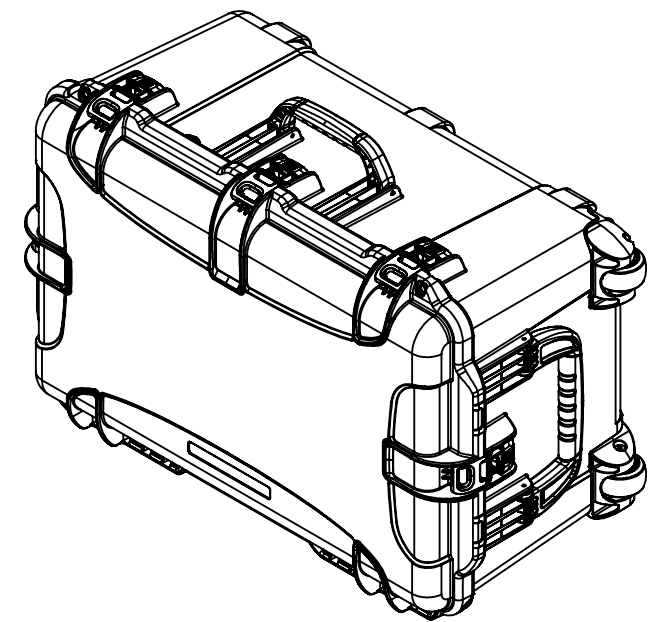


THE INFORMATION CONTAINED IN THIS DRAWING IS THE SOLE PROPERTY OF PLASTICASE ANY REPRODUCTION IN PART OR WHOLE WITHOUT THE WRITTEN PERMISSION OF PLASTICASE IS PROHIBITED.

REVISIONS			
REV.	DESCRIPTION	DATE	APPROVED



NANUK 965 Specifications

Case Weight Empty	24.65 lbs / 11.18 kg
Interior Length	29.0" / 737 mm
Interior Width	18.0" / 457 mm
Interior Height	13.9" / 353mm
Interior Lid Depth	2.1" / 53 mm
Interior Base Depth	12.0" / 305 mm
Exterior Length	32.5" / 826 mm
Exterior Width	21.1" / 536 mm
Exterior Height	15.9" / 404 mm
Master Pack Qty.	1
Master Pack Wt.	TBD
Max Buoyancy	TBD

PARTS LIST

UNLESS OTHERWISE SPECIFIED DIMENSIONS ARE IN INCHES	CAD GENERATED DRAWING, DO NOT MANUALLY UPDATE		PLASTICASE
	APPROVALS	DATE	
	DRAWN S.C.	31/10/2019	
	CHECKED		
MATERIAL	RESP ENG		NANUK 965
FINISH --	MFG ENG		
DO NOT SCALE DRAWING	QUAL ENG		
SIZE B		DWG. NO.	REV.
SCALE 1:10		CAD FILE: 965_Assembly_p.00_14	SHEET 1 OF 1

SECTION A-A

SECTION B-B