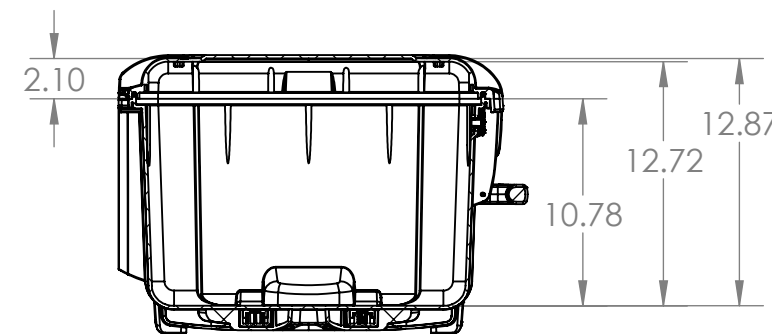
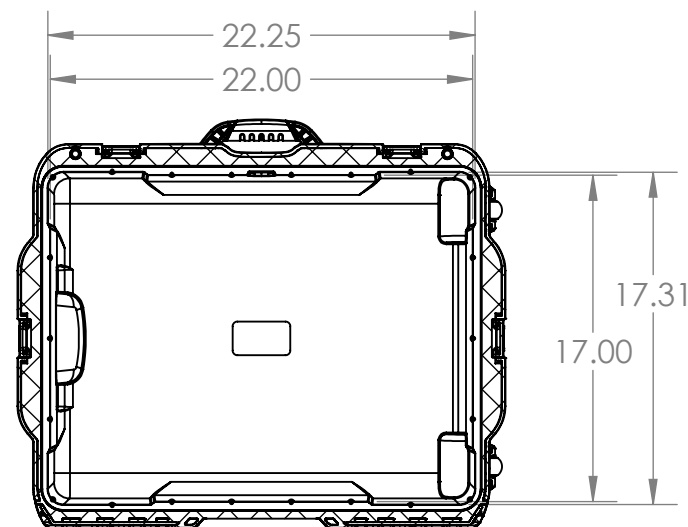
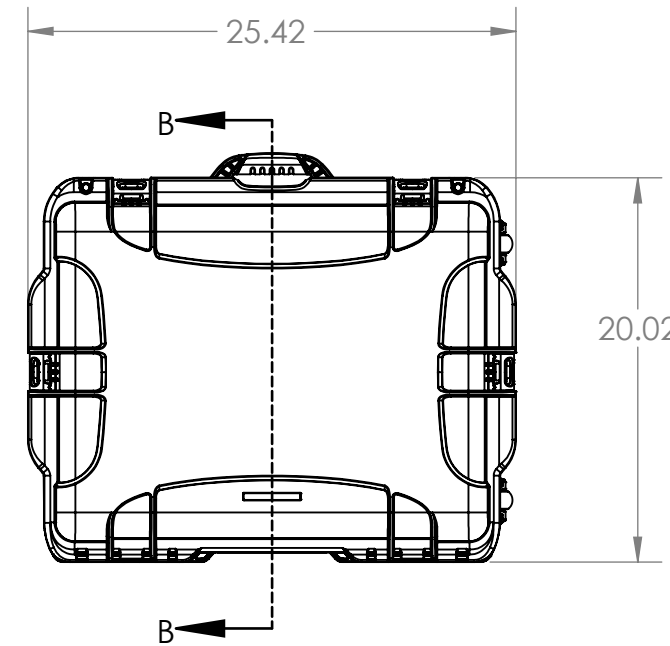
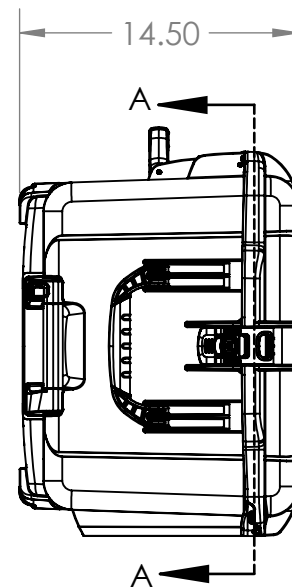
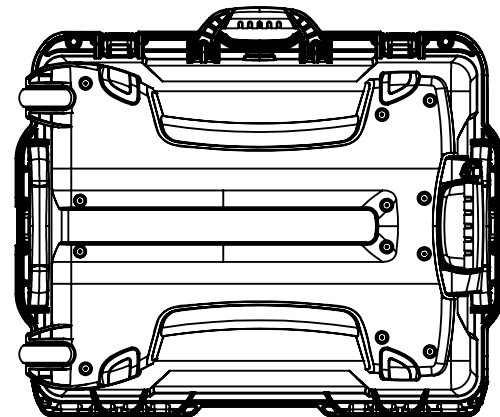
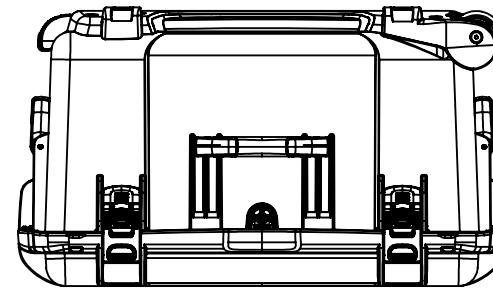


THE INFORMATION CONTAINED IN THIS DRAWING IS THE SOLE PROPERTY OF PLASTICASE ANY REPRODUCTION IN PART OR WHOLE WITHOUT THE WRITTEN PERMISSION OF PLASTICASE IS PROHIBITED.

REVISIONS			
REV.	DESCRIPTION	DATE	APPROVED



### NANUK 960 Specifications

Case Weight Empty	19.22lbs / 8.72kg
Interior Length	22.00" / 559mm
Interior Width	17.00" / 432mm
Interior Height	12.87" / 327mm
Interior Lid Depth	2.10" / 54mm
Interior Base Depth	10.78" / 274mm
Exterior Length	25.42" / 646mm
Exterior Width	20.02" / 509mm
Exterior Height	14.50" / 368mm
Master Pack Qty.	1
Master Pack Wt.	N/A
Max Buoyancy	167.55 lbs / 76.0 kg

### PARTS LIST

UNLESS OTHERWISE SPECIFIED DIMENSIONS ARE IN INCHES	CAD GENERATED DRAWING, DO NOT MANUALLY UPDATE		PLASTICASE
	APPROVALS	DATE	
	DRAWN P.L.O.	30/10/2013	
	CHECKED		
MATERIAL	RESP ENG		NANUK 960
FINISH --	MFG ENG		
DO NOT SCALE DRAWING	QUAL ENG		
SIZE B		DWG. NO.	REV.
SCALE 1:10		CAD FILE: 960_Assembly	SHEET 1 OF 1