



1059, boulevard des Entreprises Ouest
 Terrebonne, QC Canada J6Y 1V2
 Tel 450-628-1006 1.800.783.6883
 Fax 450-628-7801 1.888.783.6883
 www.plasticase.com

945 PADDED DIVIDER

PROJECT

945_NANUK

PRODUCT

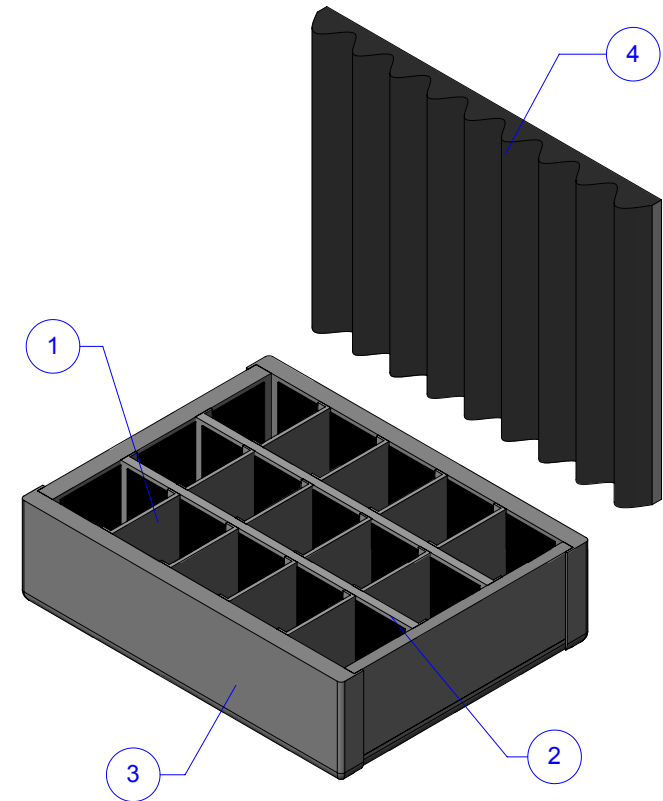
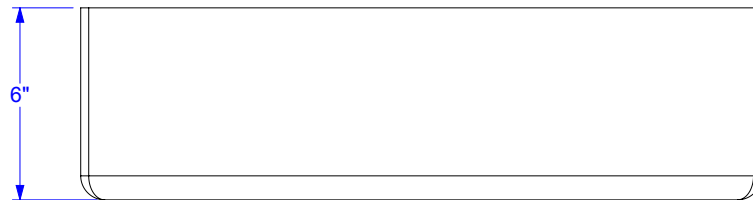
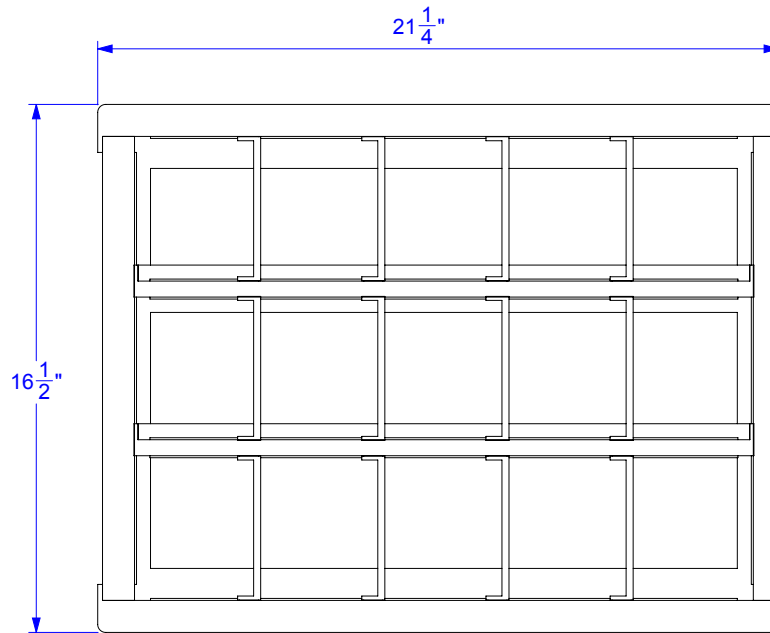
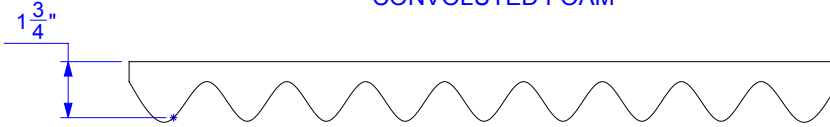
945_PADDED_DIVIDER_a.00

DWG ID

STATUS

ITEM	DESCRIPTION	QTY.
1	945_PADDED DIVIDER 4.5" X 0.3" X 4.5"	12
2	945_PADDED DIVIDER 4.5" X 0.5" X 19.4"	2
3	945_PADDED DIVIDER CONTOUR	1
4	945_CONVOLUTED FOAM	1

CONVOLUTED FOAM



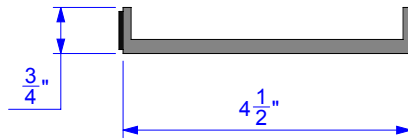
REV.	DESCRIPTION	DATE	INITIALS
REVISIONS			

PROPRIETARY AND CONFIDENTIAL
 THE INFORMATION CONTAINED IN THIS DRAWING IS THE SOLE & EXCLUSIVE PROPERTY OF PLASTICASE INC.
 ANY REPRODUCTION IN PART OR WHOLE WITHOUT THE WRITTEN PERMISSION OF PLASTICASE INC. IS PROHIBITED.

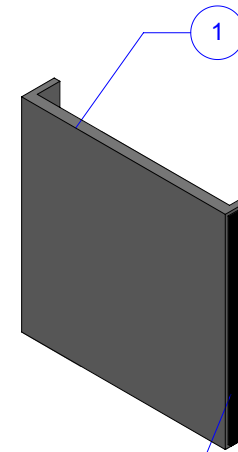
DO NOT SCALE DRAWING
 SHEET SCALE 1:6

Karen Dupuis
 DESIGNER

25/04/2017
 DATE

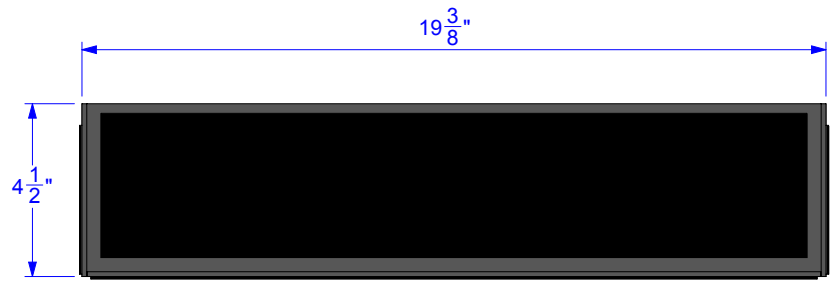


945_PADDED DIVIDER 4.5" X 0.3" X 4.5"

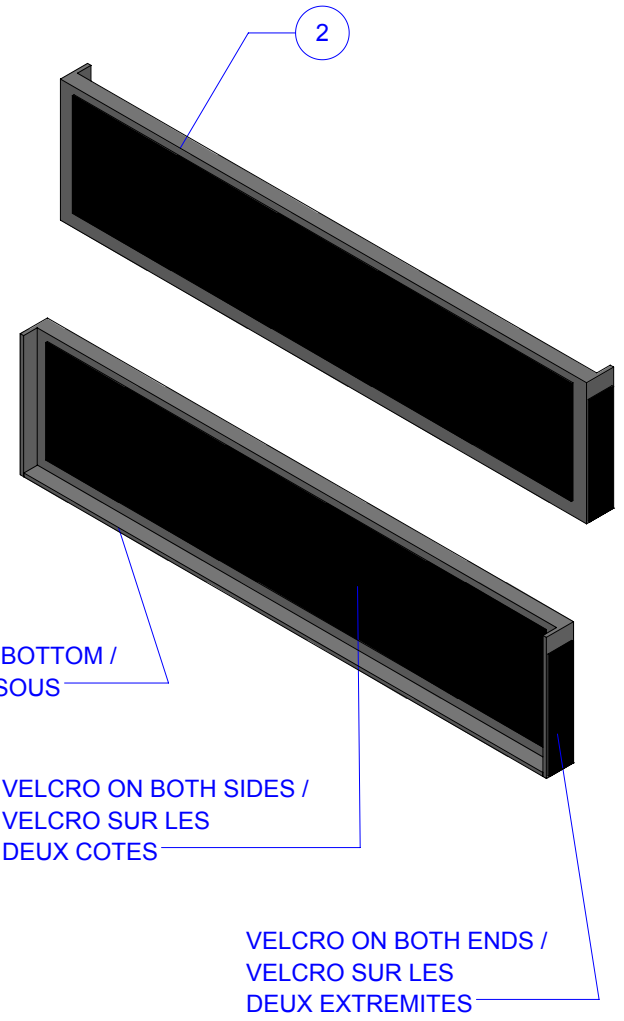


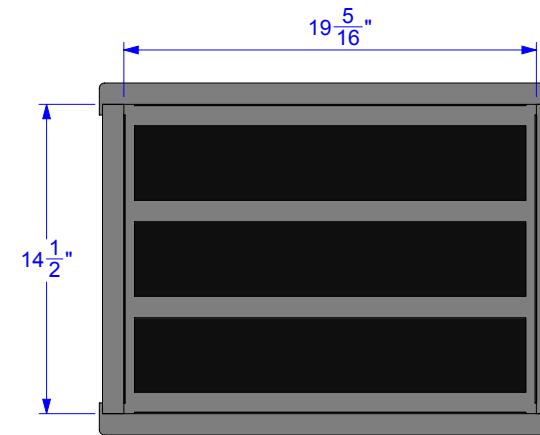
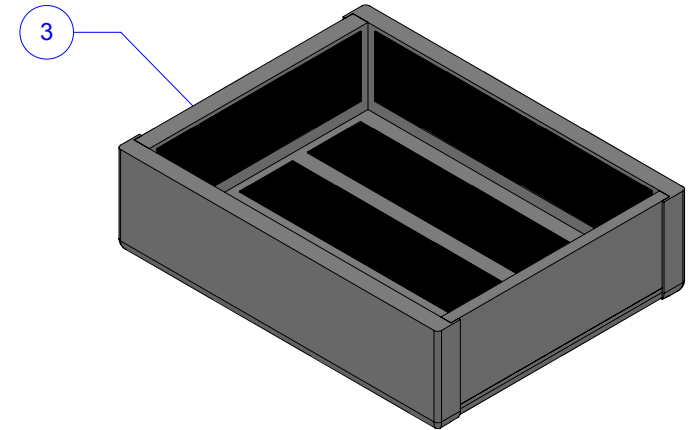
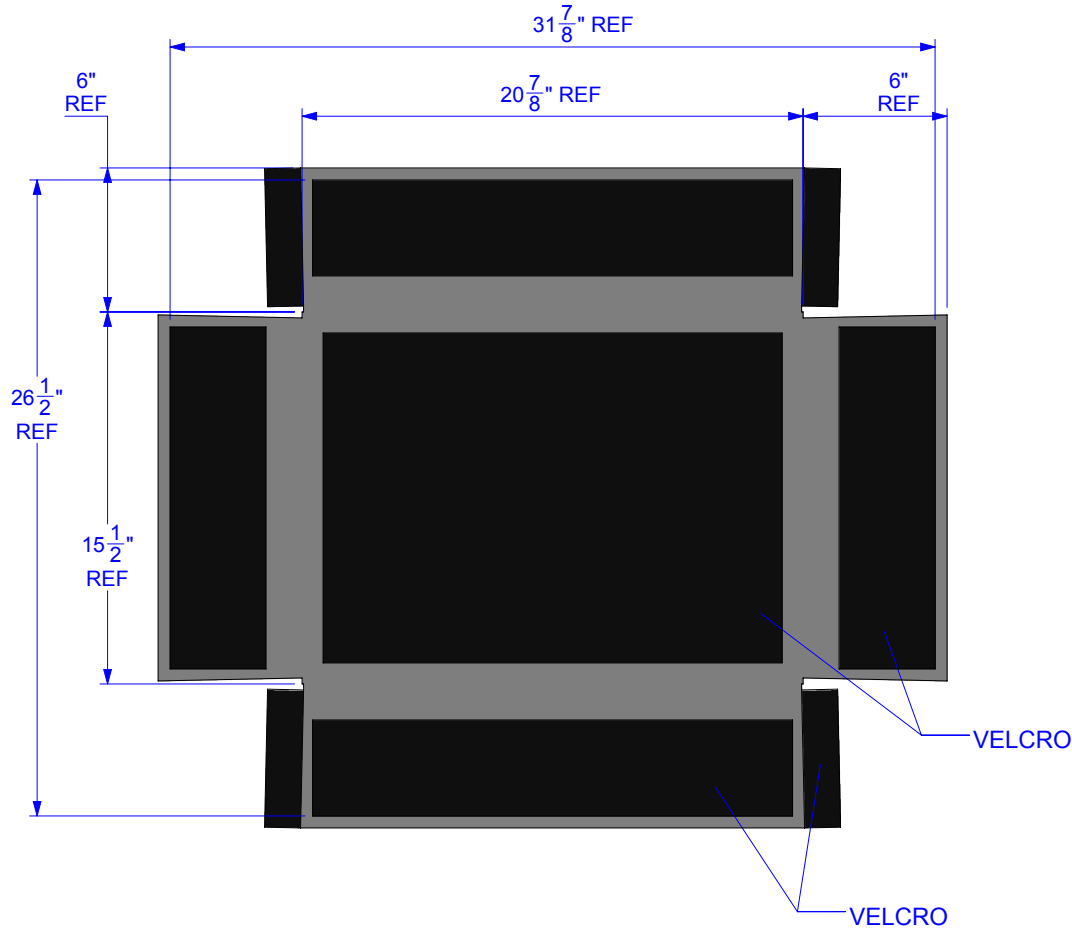
VELCRO ON BOTH ENDS /
VELCRO SUR LES
DEUX EXTREMITES

FOAM DENSITY MAY VARY.
DIMENSIONS ARE IN INCHES UNLESS OTHERWISE SPECIFIED



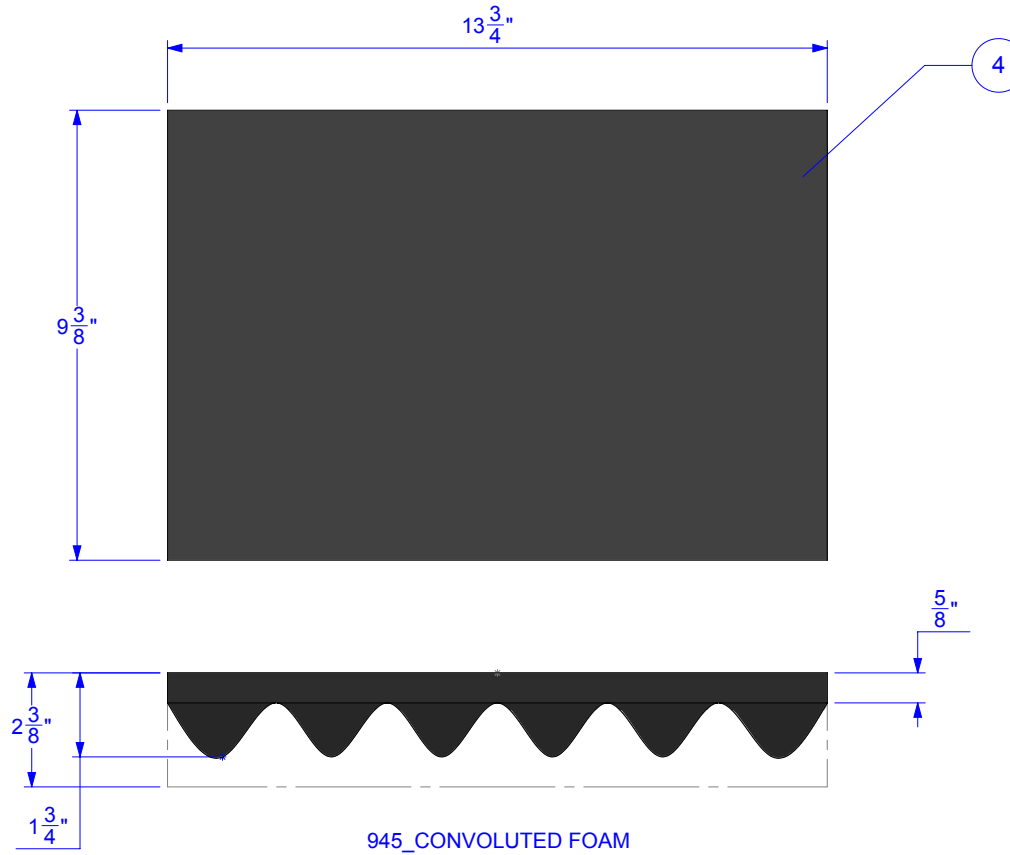
945_PADDED DIVIDER 4.5" X 0.5" X 19.4"





945_PADDED DIVIDER CONTOUR

FOAM DENSITY MAY VARY.
 DIMENSIONS ARE IN INCHES UNLESS OTHERWISE SPECIFIED



PUF P150-55 BLK 2 3/8" THICK 5/8" BASE
MATERIAL